

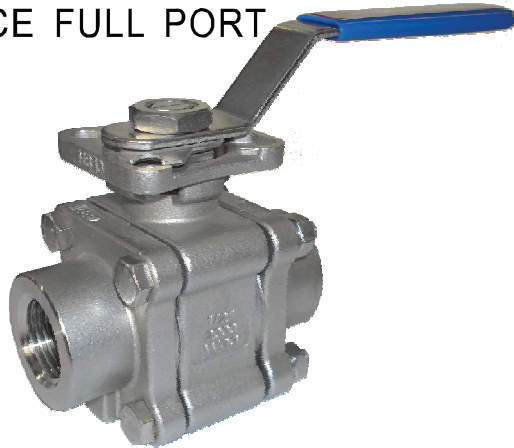


Screwed End Ball Valves

2013KMD

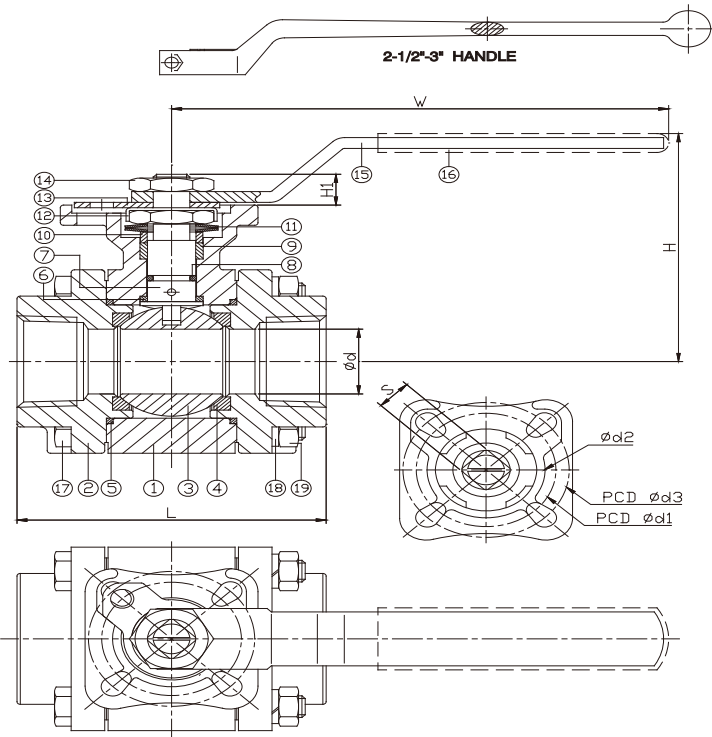
VMTM2013KMD SS or CS

3-PIECE FULL PORT



FEATURES

- Investment casting
- Blow-out proof stem
- Live-loaded design
- Lock device handle
- Anti-static device
- ISO 5211 Direct mounting pad
- Fire safe design
- Pneumatic automation device (option)



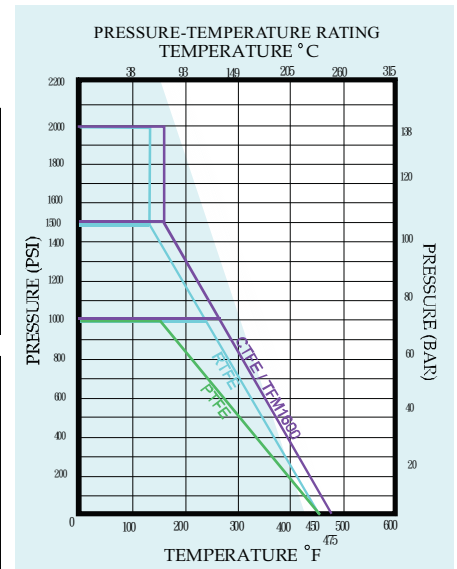
ITEM	PARTS	MATERIAL	
1	BODY	ASTM A351-CF8M	ASTM A216-WCB
2	CAP		
3	BALL	ASTM A351-CF8M	
4	BALL SEAT	TFM	
5	BODY SEAL	GRAPHITE	
6	THRUST WASHER	CTFE	
7	STEM	ASTM A276-316	
8	O-RING	VITON	
9	PACKING	GRAPHITE	
10	GLAND RING		
11	BELLEVILLE WASHER	AISI 304	
12	LOCK WASHER		
13	STOPPER		
14	NUT		
15	HANDLE	PVC	
16	HANDLE SLEEVE	PVC	
17	BOLT	AISI 304	
18	SPRING WASHER		
19	BODY NUT		

	DN	d	L	H	W	S	d1	d2	d3	Torque (N-M)	
										Breakaway	Action
PN150	15	15	75	66.9	120	9	36	31	42	3.6	2.1
	20	20	80	70	120	9	36	31	42	5.1	3
	25	24	93	80.7	148	11	42	35.5	50	7.7	4.7
PN100	32	30	110	84.8	148	11	42	35.5	50	13.1	5.6
	40	38	120	104.7	178	14	50	56	70	15.7	6.6
PN63	50	50	140	111.3	178	14	50	56	70	24.4	10.1
	65	65	184.2	149.5	340	17	70	76	102	44.5	21.7
	80	75	204	159.5	340	17	70	76	102	87.3	40

unit:mm

	NPS	d	L	H	W	S	d1	d2	d3	Torque (in-lb)	
										Breakaway	Action
2000WOG	1/2"	0.59	2.95	2.63	4.72	0.35	1.42	1.22	1.65	31.86	18.59
	3/4"	0.79	3.15	2.76	4.72	0.35	1.42	1.22	1.65	45.14	26.55
	1"	0.94	3.66	3.18	5.83	0.43	1.65	1.4	1.97	68.15	41.6
1500WOG	1-1/4"	1.18	4.33	3.34	5.83	0.43	1.65	1.4	1.97	115.94	49.56
	1-1/2"	1.5	4.72	4.12	7.01	0.55	1.97	2.2	2.76	138.96	58.41
1000WOG	2"	1.97	5.51	4.38	7.01	0.55	1.97	2.2	2.76	215.96	89.39
	2-1/2"	2.56	7.25	5.89	13.39	0.67	2.76	2.99	4.02	393.86	192.06
	3"	2.95	8.03	6.28	13.39	0.67	2.76	2.99	4.02	772.67	354.03

unit:in



Mid-States Supply Co Inc.

Process Piping / Automation / Controls / Steam Specialties / IT Solutions



www.MidcoOnline.com

Designed, engineered, and manufactured by Haitima Corp.

042110rv3